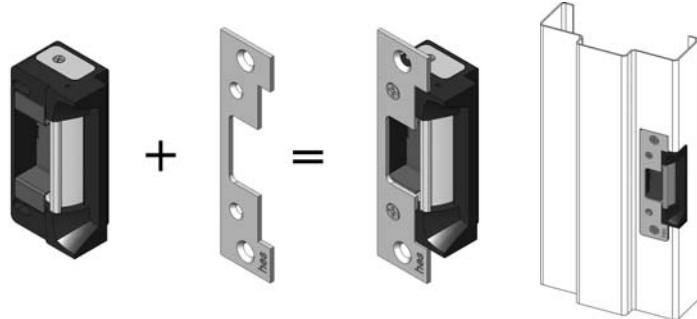
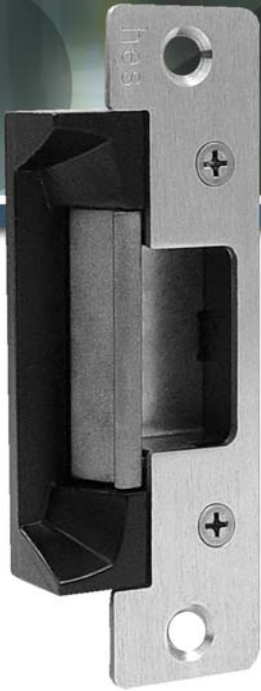


5200 Series electric strike



We offer several types of faceplate options to complete your electric strike system. Faceplate options sold separately.



The convenient adjustable solution.

* Available February 2005

The 5200 series raises the standard in adaptability for electric strikes. Offering features such as an all new innovative approach to in-frame horizontal adjustability, the 5200 Series was designed with the installer in mind. The field selectable fail/secure fail safe unit is easy to install and accommodates 3/4" latchbolts.

Specifications

- ANSI/BHMA 156.31, Grade 1
- UL 1034, burglary resistance rated
- Patented design

Frame application

- Steel
- Aluminum
- Wood

Electrical

- .120 Amp @ 12VDC/VAC
- .240 Amp @ 24VDC/VAC

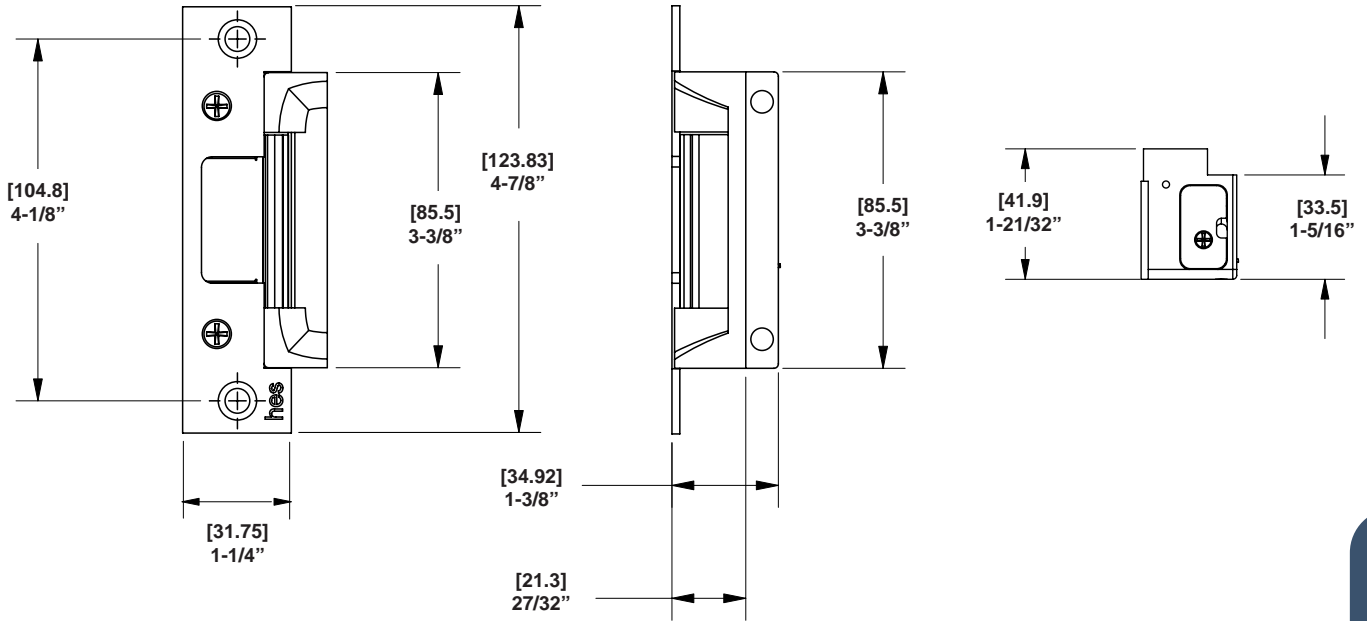
Standard Features

- In-frame horizontal adjustability
- Heavy-duty - for use with up to 3/4" latchbolts
- Dual voltage 12 or 24VDC/VAC
- Field selectable fail secure/ fail safe
- Forcing strength rating 1,500 lbs.
- Dynamic force rating 70ft-lbs.
- Endurance rating 250,000 cycles (factory tested to over 1,000,000)
- Internally mounted solenoid
- Non-handed
- Trim enhancer (goof plate) included
- Five year warranty

5200 Series



5200 electric strike



Optional Features

- LBM - Latchbolt monitor*
- LBSM - Latchbolt Strike monitor*
- Multiple interchangeable faceplate option kits to accommodate cylindrical locksets
- Four "press fit" stackable lip extensions
- Electrolynx pigtail (no charge)**

Accessories

- 2001 - Plug-in bridge rectifier
- 2005- SMART-Pac™ II in-line power controller
- 2006P - Plug-in buzzer
- 2009P - Plug-in LED
- 154 - Metal template kit

Standard Finishes

- 630 Satin stainless steel**
- 613 Bronze toned (faceplate)
- 628 Silver nylon (faceplate)
- 313 Satin bronze toned, oil rubbed (faceplate)

Special Finishes

- BLK Black nylon coated
- 605 Bright brass
- 606 Satin brass
- 612 Satin bronze
- 651 Polished chrome

Please call customer service at 800.626.7590 for current lead times on all special finishes. * Call customer service for availability. **Upon request *** Strike body available only in 630.

An HES electric strike is really an "electric strike system." Most faceplates and other parts are interchangeable within a series and must be ordered separately. Please enter each product on a separate line. See example below or page 1 for complete instructions:

Electric Strike Body Ordering

strike series	fail safe or fail secure	voltage	finishes	optional features
Choose electric strike series number	Product is field selectable leave blank	Product is field selectable write 12/24	Choose finish number	This item refers to options such as latchbolt monitor, strike switches, etc.



5200 Series faceplate options



501 Option

Operation: After release, the keeper returns to the locked position.



4-7/8" x 1-1/4"

501

For use with:

Cylindrical locksets in ANSI metal jams. For use with latchbolts up to 3/4" throw.

ANSI/BHMA Numbers: #E09321, #E09322, #E09323

type of locks released



501A Option

Operation: After releasing the latchbolt, the keeper returns to the locked position.



4-7/8" x 1-1/4"

radius corners
& flat faceplate

501A

For use with:

Cylindrical locksets. For use with latchbolts up to 3/4" throw. Includes universal mounting tabs. Aluminum frames.

ANSI/BHMA Numbers: #E09321, #E09322, #E09323

type of locks released



501B Option

Operation: After releasing the latchbolt, the keeper returns to the locked position.



4-7/8" x 1-1/4"

radius corners
& radius faceplate

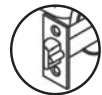
501B

For use with:

Cylindrical locksets. For use with latchbolts up to 3/4" throw. Includes universal mounting tabs. Aluminum doors and frames with radiused front.

ANSI/BHMA Numbers: #E09321, #E09322, #E09323

type of locks released



502 Option

Operation: After releasing the latchbolt, the keeper returns to the locked position.



7-15/16" x 1-7/16"

502

For use with:

Cylindrical locksets. For use with latchbolts up to 3/4" throw. Includes universal mounting tabs. Aluminum frames.

ANSI/BHMA Numbers: #E09321, #E09322, #E09323

type of locks released



5200 Series



503 Option

Operation: After releasing the latchbolt, the keeper returns to the locked position.



6-7/8" x 1-1/4"
radius corners
& flat faceplate

503

For use with:

Cylindrical locksets. For use with latchbolts up to 3/4" throw. Includes universal mounting tabs.
ANSI/BHMA Numbers: #E09321, #E09322, #E09323

type of locks released



503B Option

Operation: After releasing the latchbolt, the keeper returns to the locked position.



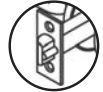
6-7/8" x 1-1/4"
radius corners
& radius faceplate

503B

For use with:

Cylindrical locksets. For use with latchbolts up to 3/4" throw. Faceplate is beveled. Includes universal mounting tabs.
ANSI/BHMA Numbers: #E09321, #E09322, #E09323

type of locks released



504 Option

Operation: After releasing the latchbolt, the keeper returns to the locked position.



10" x 1-3/8"
radius corners
& flat faceplate

504

For use with:

Cylindrical locksets. For use with latchbolts up to 3/4" throw. Four point mounting for wood installations.
ANSI/BHMA Numbers: #E09321, #E09322, #E09323

type of locks released

